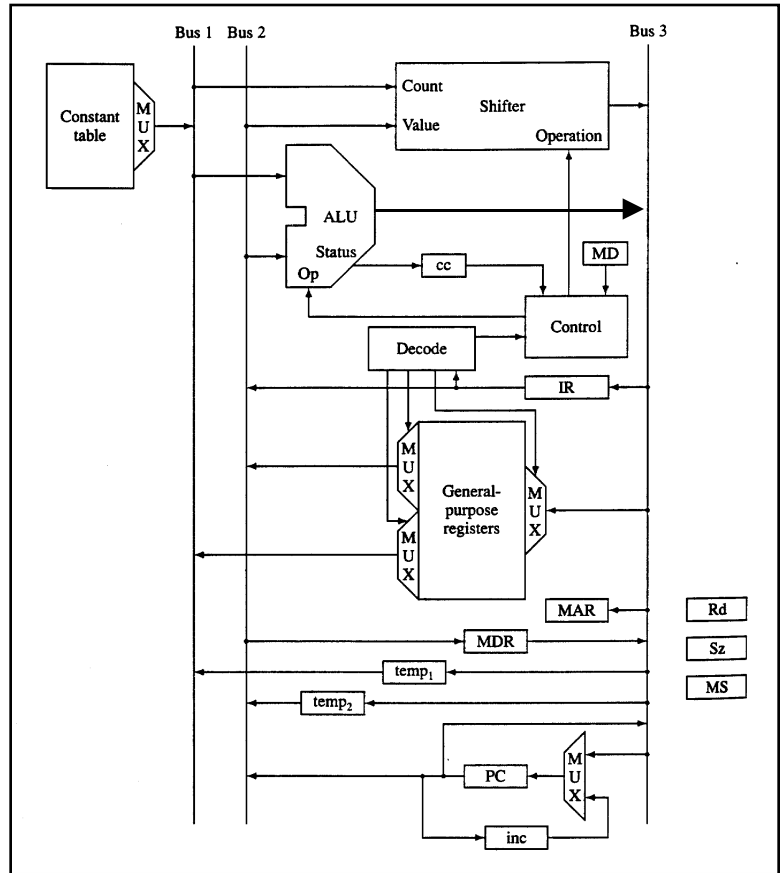


Name: _____

3. Given the figure of the Chapter 9 simple machine shown at the right, explain how it is used to do the following: (24 points)

a. Fetch an instruction



b. Execute an “add” instruction

Name: _____

7. One of the principle items supported by an operating system is the process. (15 points)

a. List some reasons why a process may be created.

b. How does a process compare to a program?